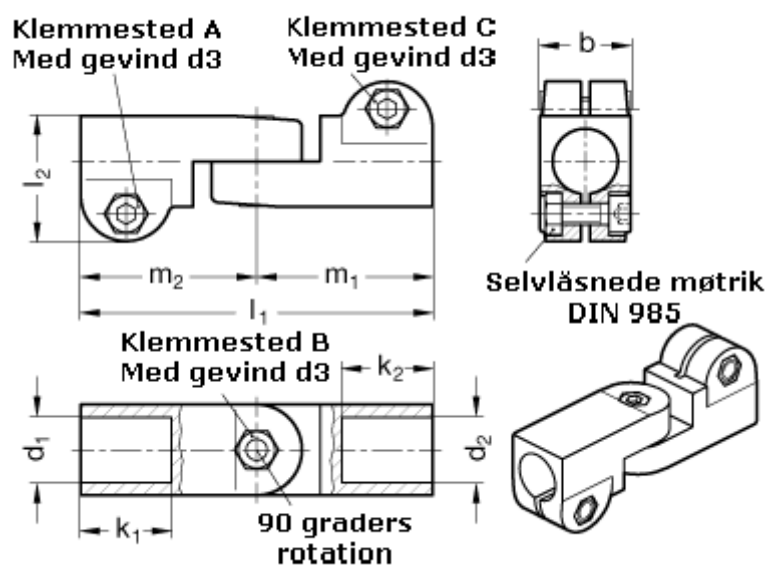


Article number: 20285B12B182SW

Description: E+G Swivel clamp connector joint
GN285-B12-B18-2-SW

Measures



b = 25

m1 = 48.5

d1 = B12

m2 = 48.5

d2 = B18

d3 = M 6

k1 = 25

k2 = 25

l1 = 97

l2 = 34.5